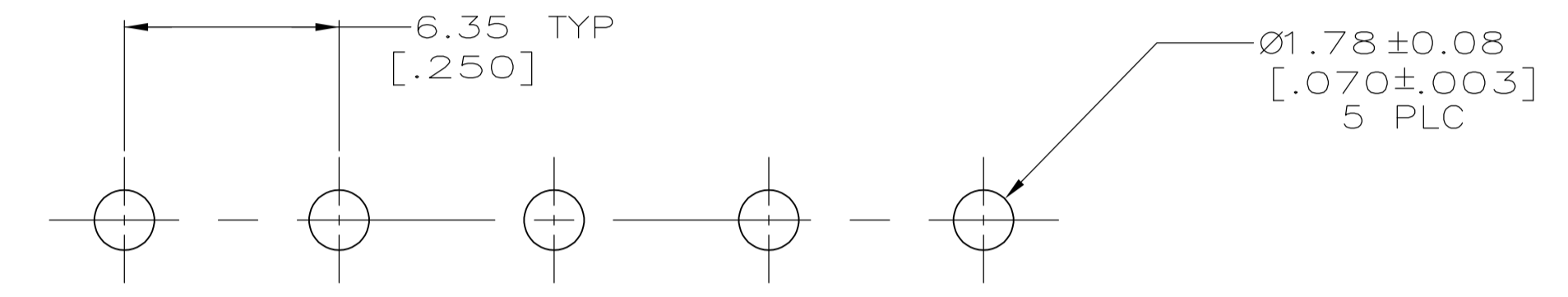
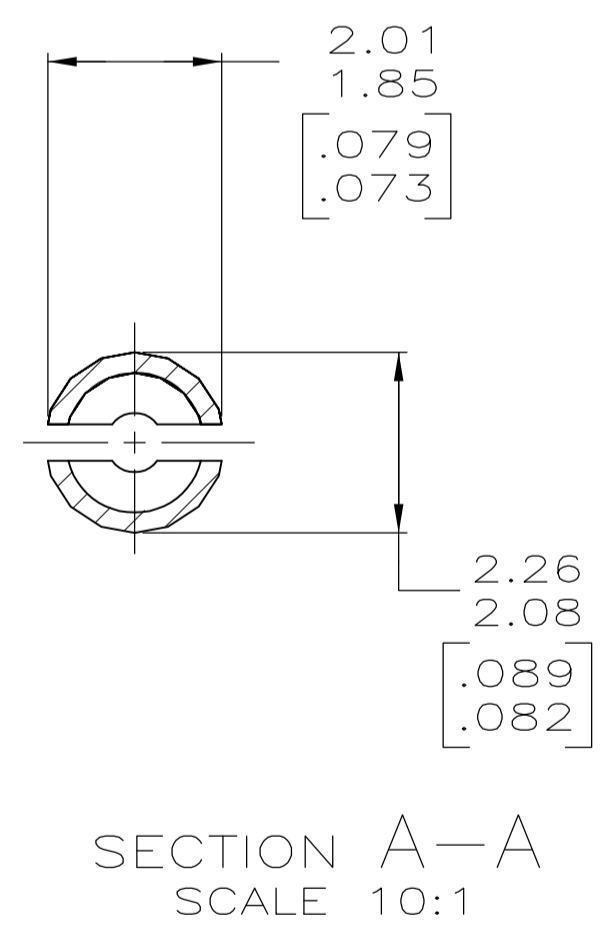
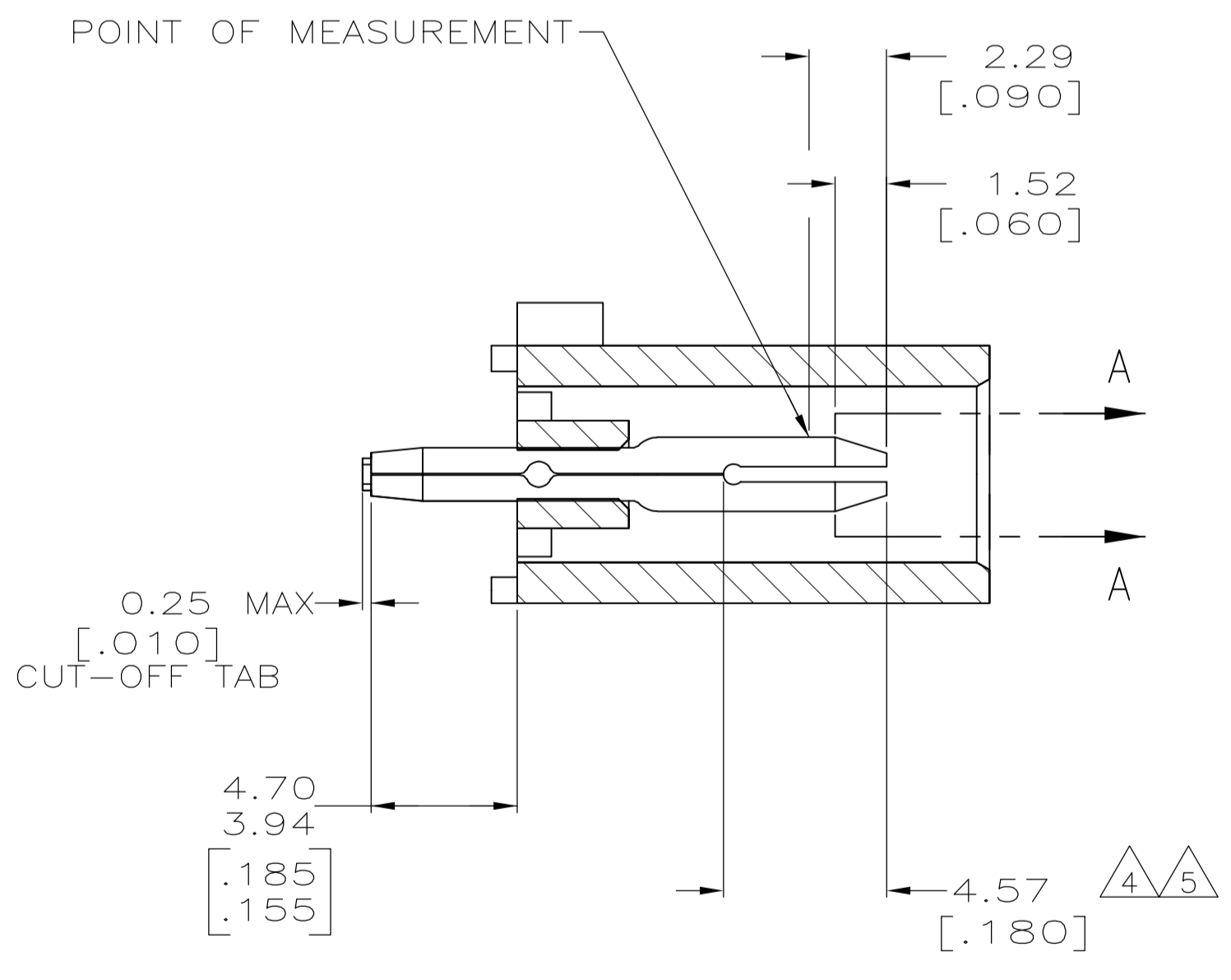


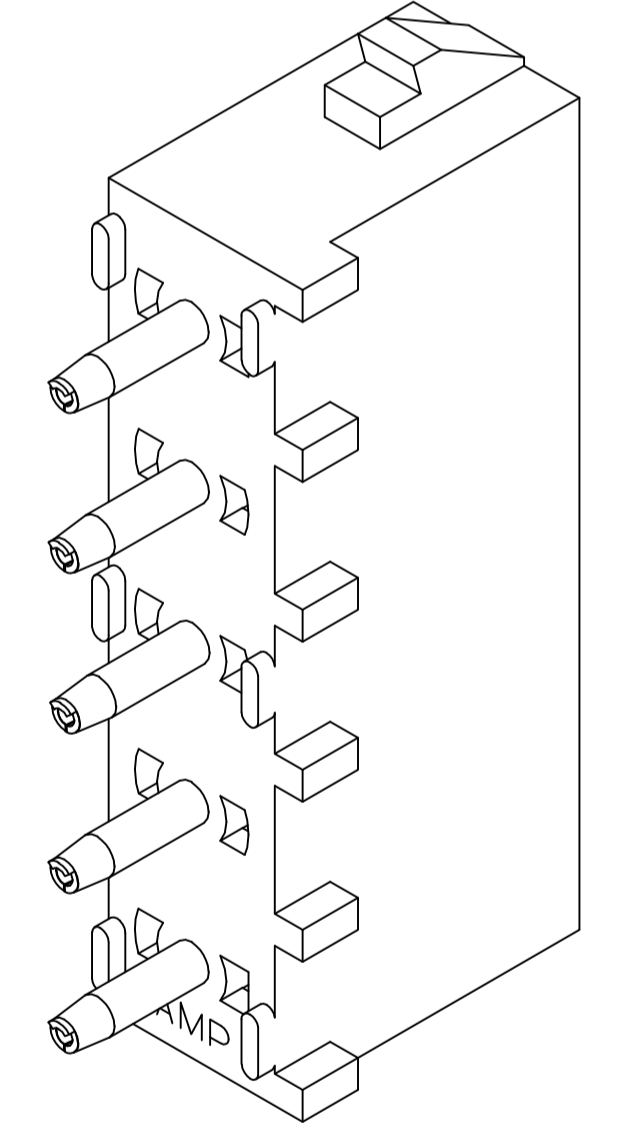
- 1 PARTS COMPLY WITH AMP SOLDERABILITY SPECIFICATION 109-11-3.
- 2 DIMENSIONS IN BRACKETS ARE IN INCHES.
- 3 CIRCUIT IDENTIFICATION CHARACTERS ARE ADJACENT TO THE INDICATED CAVITIES, BUT LOCATION AND ORIENTATION MAY DIFFER FROM PRINT.
- 4 CONTACT IS PLATED OVERALL WITH 0.00127 [.000050] NICKEL, THEN 0.000076 [.000030] GOLD OVER CONTACT LENGTH INDICATED AND MATTE TIN LEAD ON SOLDER TAIL END.
- 5 CONTACT IS PLATED OVERALL WITH 0.00127 [.000050] NICKEL, THEN 0.000076 [.000030] GOLD OVER CONTACT LENGTH INDICATED AND MATTE TIN ON SOLDER TAIL END.
- 6 PRELIMINARY - NOT FOR PRODUCTION
- 7 SUPERSEDED BY 640900-3



RECOMMENDED MOUNTING HOLE PATTERN FOR 1.57 [.062] THICK P.C. BOARD



SECTION A-A SCALE 10:1



3-DIMENSIONAL MODEL NTS

| | | |
|---------------------------------|-------------------------|-------------|
| PHOSPHOR BRONZE, PRE-TIN | NYLON, UL94V-0, BLUE | 61-640900-4 |
| PHOSPHOR BRONZE, PRE-TIN | NYLON, UL94V-0, RED | 61-640900-2 |
| PHOSPHOR BRONZE, GOLD 5 | NYLON, UL94V-0, NATURAL | 640900-3 |
| PHOSPHOR BRONZE, GOLD 4 | NYLON, UL94V-0, NATURAL | 640900-2 |
| PHOSPHOR BRONZE, PRE-TIN | NYLON, UL94V-0, NATURAL | 640900-1 |
| PIN CONTACT MATERIAL AND FINISH | HOUSING MATERIAL | PART NUMBER |

THIS DRAWING IS A CONTROLLED DOCUMENT.

| | | | | | |
|-------------------------|--|---------------------------|--------------------------|---------------------------|--------------------|
| DIMENSIONS: mm [INCHES] | TOLERANCES UNLESS OTHERWISE SPECIFIED: | DIN K. WHITAKER 18JAN2005 | CHK S. RIDGILL 18JAN2005 | APVD S. RIDGILL 18JAN2005 | NAME |
| 0 PLC ± - | 1 PLC ± - | 2 PLC ± 0.20 [.008] | 3 PLC ± - | 4 PLC ± - | ANGLES ± - |
| MATERIAL SEE TABLE | FINISH SEE TABLE | WEIGHT | SIZE A1 | CAGE CODE 00779 | DRAWING NO. 640900 |
| CUSTOMER DRAWING | | | | SCALE 5:1 | SHEET 1 OF 1 |

STE TE Connectivity

PIN HEADER ASSEMBLY, 5 CIRCUIT, UNIVERSAL MATE-N-LOK™

RESTRICTED TO